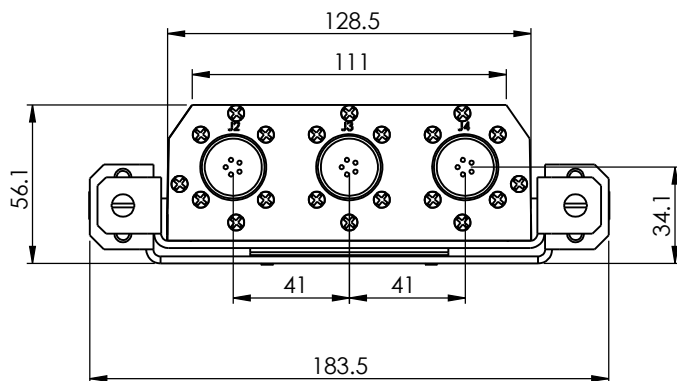


NOTE: USE 4 FLAT HEAD #6-32 UNC SCREWS FOR MOUNTING.



NAME :								
AHS OUTLINE DRAWING								
MATERIAL :		FINISH :						
SEE NOTES		SEE NOTES						
PROJ. NO. :	SHEET : 1				DATE	APPR	DESCRIPTION	LTR
287	OF : 1				PROJECT: AHS			
NEXT ASSY. :	DWG. FILE:	MM	DATE	NAME	SCALE : 1:2			
-	20820000-102	DESIGN	12.02.09	EFRAM	TOLERANCES :			
DWG. NO:	REV. :	APPR			LIN/RAD: ± 0.2			
20820000-102	B	Q.A.		SHANI	HOLES: + 0.2			
					ANGLES: ± 30°			